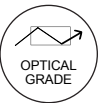




PFL2 Series 2mm Flat Lens Press Fit Panel Mount Flushed Light Pipes

PFL2 Series light pipes with crushable ribs & front mount press-fit installation.



Applications

- Audio/Video
- Communication
- Darkroom Equipment
- Industrial
- Maritime, Oil & Gas
- Automation & Controls
- Instrumentation
- Transportation
- Robotics

Key Features

- Optical-grade polycarbonate delivers superior light transmission.
- UL94V-0 rating ensures secure fire-retardant performance.
- Halogen-free material.
- Press-fit front mount design ensures secure & precise panel fitment.
- Crushable ribs provide vibration resistant installation.
- Flat lens design for flushed panel installation.
- Standard length options from .100" to .500".
- RoHS and REACH compliant.
- Compatible with single and multi-color SMD LEDs. such as VCC's SpectraBright, LSM, CMD15, CMD17, VAOL series and other light sources.

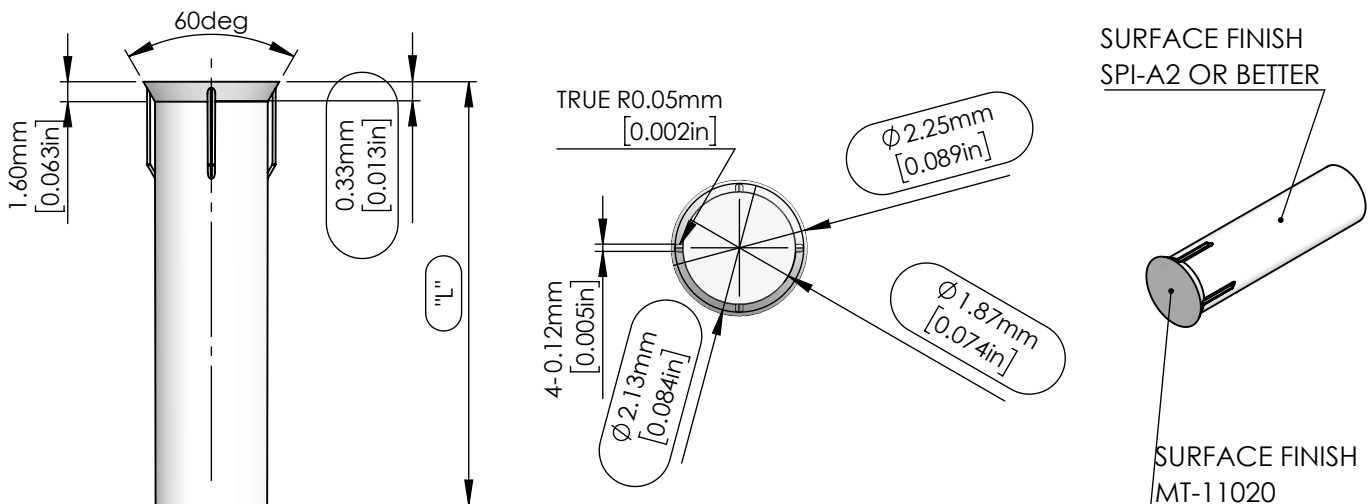


Ordering Data

VCC Part Number	"L"Length (Inch)	"L"Length (mm)
PFL2-100	0.100"	2.54 (mm)
PFL2-125	0.125"	3.18 (mm)
PFL2-4MM	0.157"	4.00 (mm)
PFL2-188	0.188"	4.78 (mm)
PFL2-6MM	0.236"	6.00 (mm)
PFL2-250	0.250"	6.35 (mm)
PFL2-7MM	0.276"	7.00 (mm)
PFL2-8MM	0.315"	8.00 (mm)
PFL2-9MM	0.354"	9.00 (mm)
PFL2-375	0.375"	9.53 (mm)
PFL2-10MM	0.394"	10.00 (mm)
PFL2-500	0.500"	12.70 (mm)
PFL2-25MM	0.984"	25.00 (mm)

* Note: The 25 mm item is available upon request.

Product Dimensions

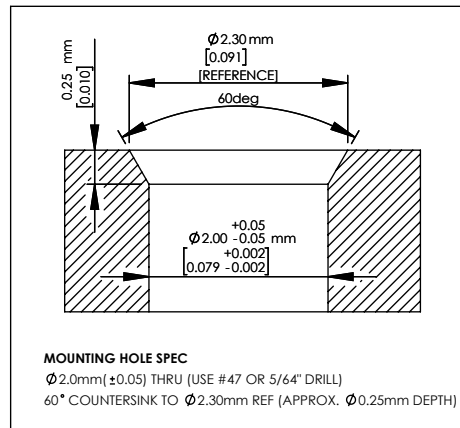




Materials	
Body	Polycarbonate, Clear UL94V-0 at 2.5mm thickness

Temperature Specifications	
Operating Temperature	-22 to 248F (-30 to 120°C)

Installation Specifications	
Mounting Hole	1.9mm~2.0mm Drill size: #47 (1.994mm dia)
Standard Lengths	.100" to .500" (2.5mm to 12.7mm)



Recommendation:

Maximum air gap (clearance) between LED and light pipe for best performance:
 0.050"

Compliances and approvals

